

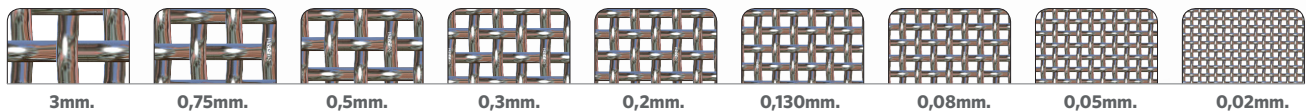
# Screen Centrifugal filters

Centrifugal filters are specially suitable for water containing suspended sand. They are particularly thought as safety stations filters.



Filter FCY6

## Metálicos



3mm.

0,75mm.

0,5mm.

0,3mm.

0,2mm.

0,130mm.

0,08mm.

0,05mm.

0,02mm.

## TECHNICAL DATA

### SYSTEM

The filtration occurs by the physical retention of particles larger than the stainless steel heat-welded screen.

### CONSTRUCTION MATERIALS

Body: carbon steel.

Joints: synthetic rubber nitrile 60<sup>º</sup> Shore.

Screws: zinc-coated weather resistant.

Crosshead: stainless steel AISI 316L.

### STEEL SURFACE TREATMENT

The steel elements are treated internally and externally and an impregnation of NANOTECHNOLOGY. After that, the elements are painted by electrostatic spraying powder paint, epoxy polyester.

### CLEANING

The cartridge cleaning is carried out manually. After the cartridge is removed from the filter, it can be cleaned by spraying with water or with the help of a bristle brush.

### FILTERING ELEMENT

Stainless steel heat-welded screen in a PVC tubular structure. For our manual filters the standard screen is 0,130 mm, we also have screens from 3 mm up to 0,01 mm.

### PRESSURES

Max pressure: 8 kg/cm<sup>2</sup>

Min pressure: 1 kg/cm<sup>2</sup>

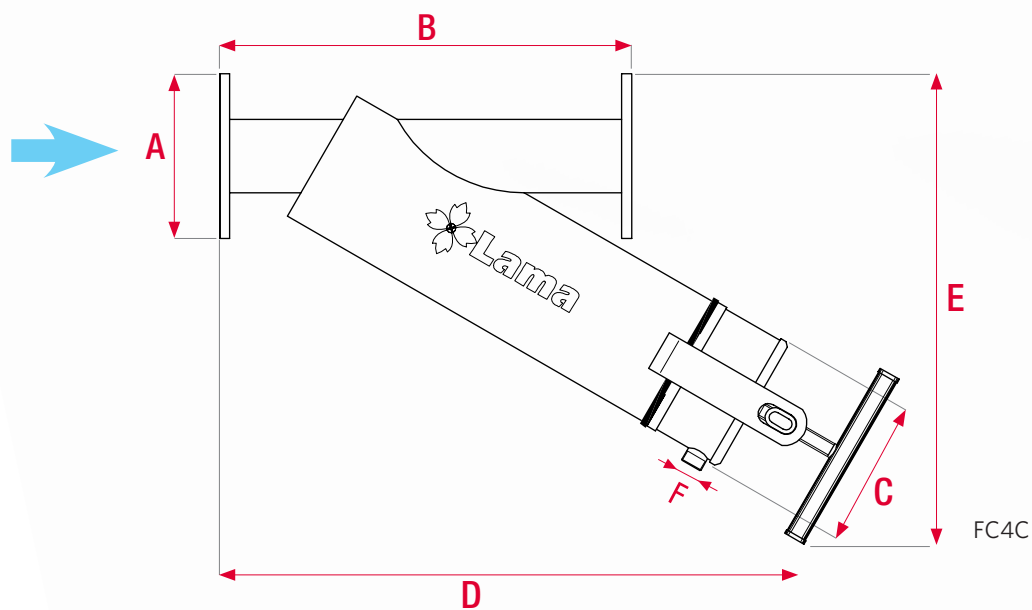
Testing pressure: 12 kg/cm<sup>2</sup>

### FEATURES

It eliminates the particles in suspension taking advantage of the centrifugal effect caused by the specially designed inlet to the filtering cartridge.

A set of rubber plugs are supplied in order to generate a loss of load in the filter of 5 M.C. A.

## CENTRIFUGAL METAL SCREEN FILTERS



A	B (mm)	C (mm)	D (mm)	E (mm)	F	Net Weight (Kg)	Gross Weight (Kg)	Package volume (m <sup>3</sup> )	Limit Flow (m <sup>3</sup> /h)	Filtration Surface (cm <sup>2</sup> )	Description	Code
2" Thread M	450	165	660	560	3/4"	16	18	0,089	22	1.071	2" centrifuge filter	<b>FCY2</b>
3" Flange	500	165	825	570	3/4"	23	26	0,158	37,7	1.590	3" centrifuge filter	<b>FCY3</b>
4" Flange	700	219	840	575	3/4"	33	36	0,25	73,5	2.312	4" centrifuge filter	<b>FC4C</b>
5" Flange	700	250	990	650	3/4"	40	43	0,25	73,5	3.116	5" centrifuge filter	<b>FCY5</b>
6" Flange	730	320	995	900	3/4"	70,5	71	0,248	148	5.404	6" centrifuge filter	<b>FCY6</b>
											Waste store, valve and programmer	Ask
											Automatic Cleaning Kit 1" 220V. (Valve, timer, transformer, solenoid and filter)	<b>KL1C</b>
											Automatic Cleaning kit 1" Batteries (Valve, programmer, latch solenoid and filter)	<b>KL1MO</b>

## CENTRIFUGAL METAL SCREEN FILTERS

