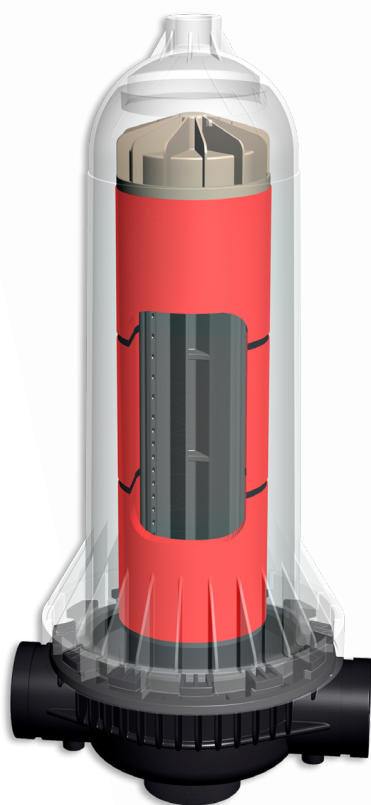


TECHNICAL DATA

AutoSenior

Triangular design tower support, with non-equidistant water jets to ensure uniform washing. Guarantee to completed the disc-pack rotation. No maintenance (except discs).



FILTERING ELEMENT

Discs available: 20 µm green disc, 50 µm blue disc, 130 µm yellow disc, 190 µm red disc (which is the standard one) and 250 µm brown disc.

DISC COLOURS



SYSTEM

The physical filtration through discs is performed by, retaining the suspended solids in water into the channels due to a high security disc structure.

CONSTRUCTION MATERIALS

Body: glass fiber reinforced polyamide.

Disc tower: glass fiber reinforced polyamide.

Manifolds: carbon steel or polyethylene.

Joints: synthetic rubber nitrile 60^º Shore.

Screws: zinc-coated.

CLEANING

Cleaning performed by a counter flow and the discs separation each other at high-speed rotation. The combination of these two effects produces the dirt detachment, assisted by the incidence of tangential high-pressure water jets directed to the filtration surface.

PRESSURES

Max. pressure: 8 kg/cm² threaded closure | 10kg/cm² ringlock clamp closure.

Min. pressure: 1 kg/cm²

Min. cleaning pressure: 2,5 kg/cm²

Testing pressure: 12 kg/cm²

FEATURES

Its mechanisms are perfectly synchronized to deal with the cleaning works with the guarantee that the water won't be contaminated. It allows the perfect automation of the system and a reduced head loss.

Besides, it makes possible to use compressed air to guide the manoeuvres.

On the other hand, it stands out because it has just a few components, something that makes easier the assembly and the taking apart works.

Furthermore, it resists to the hardest chemical and physical agents.

WITH THREADED CLOSURE



FAS3TR

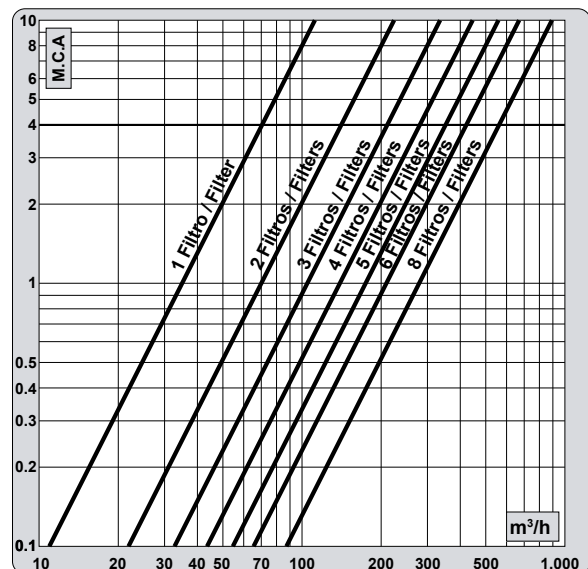


WITH RINGLOCK CLAMP CLOSURE



FAAP3AN

HEAD LOSS



Results obtained in our factory with approved measuring instruments, using clean water as a fluid for assessment with 190 µm disc Lama.

AUTOMATIC DISC FILTERS. AUTOSENIOR 3' STATION WITH THREADED CLOSURE.

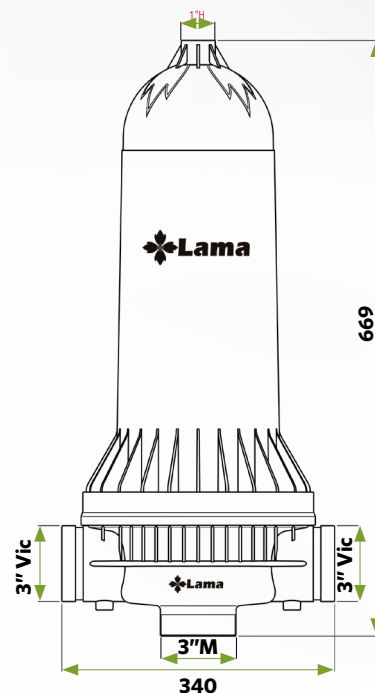
2,5
BACKWASHING
PRESSION
Kg/cm²

PRES MAX 8
Kg/cm²
114 psi

STANDARD
190µm



C4ASPEQS



Flow limit 4m. H.D	Max. Recommended Flow (m ³ /h)			Filtration Surface (cm ²)	Description		Code
	< 50ppm	50/100ppm	100/200ppm		Filter Code: FAS3TR		
					Nº Filter	Ø of collector	
141	40	25	16	3.226	2	4"	C2ASPEQS
211	60	37,5	24	4.839	3	4"	C3ASPEQS
281	80	50	32	6.452	4	4"	C4ASPEQS
281	80	50	32	6.452	4	6"	C4A6PEQS
352	100	62,5	40	8.065	5	6"	C5ASPEQS
422	120	75	48	9.678	6	6"	C6ASPEQS
562	160	100	64	12.904	8	6"	C8ASPEQS
562	160	100	64	12.904	8	8"	C8A8PEQS
703	200	125	80	16.130	10	8" double line	10ASPEQS
844	240	150	96	19.356	12	8" double line	12ASPEQS
984	280	175	112	22.582	14	10" double line	14ASPEQS
1.125	320	200	128	25.808	16	10" double line	16ASPEQS
1.265	360	225	144	29.034	18	12" double line	18ASPEQS
1.687	480	300	192	38.712	24	12" double line	24ASPEQS

Net Weight (kg)	Gross Weight (kg)	Package Volume	Min. Vol. Drainage Flow (2,5 kg/cm ²)	Min. Drainage Flow (m ³ /h)	Filter Code	Disc Spare Part 190µm
13	14	0,07 m ³	45 ℓ	10,5	FA3K	RAA3R
8	9	0,07 m ³	45 ℓ	10,5	FAS3TR	

FA3K - 1 equipped filter with valve Globo + solenoid + Vic connection.

FAS3TR - 1 filter unequipped.

AUTOMATIC DISC FILTERS. AUTOSENIOR 3' STATION WITH RINGLOCK CLAMP CLOSURE.

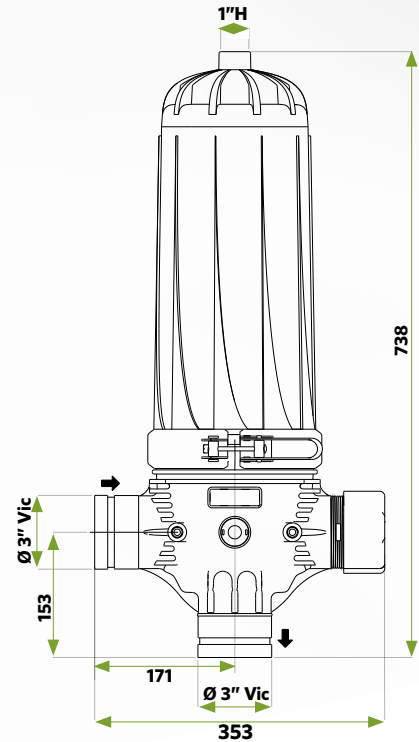
2,5
BACKWASHING
PRESSION
Kg/cm²

PRES MAX 10
kg/cm²
142 psi

STANDARD
190µm



C4A3A4S



Flow limit 4m. H.D	Max. Recommended Flow (m ³ /h)			Filtration Surface (cm ²)	Description		Code
	< 50ppm	50/100ppm	100/200ppm		Filter Code: FAAP3AN		
					Nº Filter	Ø of collector	
141	40	25	16	3.226	2	4"	C2A3A4S
211	60	37,5	24	4.839	3	4"	C3A3A4S
281	80	50	32	6.452	4	4"	C4A3A4S
281	80	50	32	6.452	4	6"	C4A3A6S
352	100	62,5	40	8.065	5	6"	C5A3A6S
422	120	75	48	9.678	6	6"	C6A3A6S
562	160	100	64	12.904	8	6"	C8A3A6S
562	160	100	64	12.904	8	8"	C8A3A8S

Net Weight (kg)	Gross Weight (kg)	Package Volume	Min. Vol. Drainage Flow (2,5 kg/cm ²)	Min. Drainage Flow (m ³ /h)	Filter Code	Disc Spare Part 190µm
13	14	0,07 m ³	45 ℓ	10,5	FAAP3ANK	RAA3R
8	9	0,07 m ³	45 ℓ	10,5	FAAP3AN	

FAAP3ANK - 1 equipped filter with valve Globo + solenoid + Vic connection.

FAAP3AN - 1 filter unequipped.