

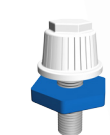
High media filters

Applications: drinking water, previous filtration to reserve osmosis, removing turbidity, previous filtration to ultraviolet, depuration (tertiary)... From 500 mm up to 1.400 mm diameter.



Filter F12B

LechoAlto



Nozzle



Collector arm



nano
TECNOLOGY



Activated carbon

Anthracite

Volcanic sand

Siliceous sand

TECHNICAL DATA

SYSTEM

The filtration through sand is produced by physical retaining the dirt into the gaps formed between the granules laid throughout the whole mantle. This is an in-depth filtration, characteristic that gives sand filtration to be most efficient system of all.

CONSTRUCTION MATERIALS

Body: carbon steel.

Manifolds: carbon steel or polyethylene.

Joints: synthetic rubber nitrile 60° Shore.

Screws: zinc-plated weather resistant.

Closing cover inlet and outlet water: 15 mm melting.

Collector arms and nozzles: polypropylene.

STEEL SURFACE TREATMENT

The steel elements are treated internally and externally and an impregnation of NANOTECHNOLOGY. After that, the elements are painted by electrostatic spraying powder paint, epoxy polyester.

CLEANING

Investment of the flow with clean water or regeneration of the filtering element.

PRESSURES

Max. pressure: 8 kg/cm²

Testing pressure: 12 kg/cm²

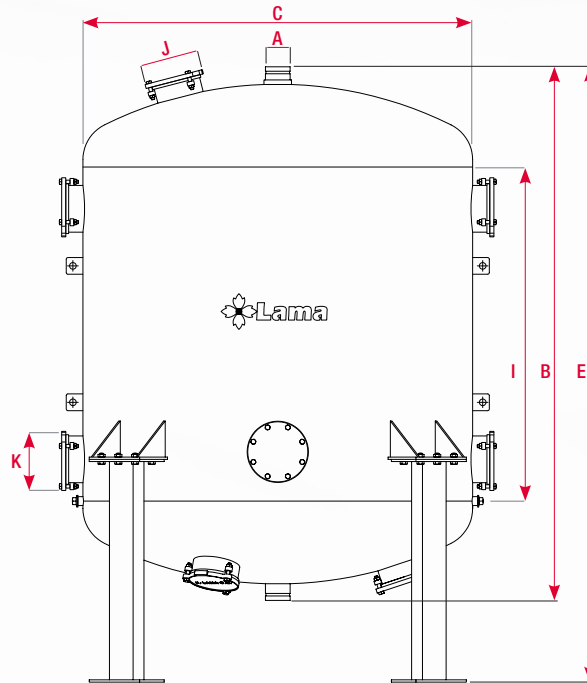
Available pressure: 16 kg/cm²

FEATURES

They are designed to performance at low speed (5-10 m/h), getting a high filtration quality. Holes water for easy maintenance.

They can be make in ebonite for seawater and corrosive water.

HIGH MEDIA FILTERS



It can be
manufactured
under
ASME
code

COLLECTOR ARM

Filtration Surface (m ²)	A (ØVic.)	B (mm.)	C (mm.)	D (mm.)	E (mm.)	J (mm.)	K (mm.)	Package volume (m ³)	Code
0,20	2"	1.730	500	1.400	2.215	165	165	0,3	F15B
0,38	2"	1.860	700	1.400	2.280	165	165	0,62	F17B
0,50	3"	1.873	800	1.400	2.290	165	165	0,8	F18B
0,71	3"	1.928	950	1.400	2.315	165	165	1,19	F19B
1,13	3"	1.934	1.200	1.300	2.272	165	165	1,86	F12B
1,54	3"	1.916	1.400	1.200	2.210	165	165	2,47	F14B

NOZZLES

Filtration Surface (m ²)	A (ØVic.)	B (mm.)	C (mm.)	D (mm.)	E (mm.)	J (mm.)	K (mm.)	Package volume (m ³)	Code
0,20	2"	1.730	500	1.400	2.215	165	165	0,3	F15C
0,38	2"	1.860	700	1.400	2.280	165	165	0,62	F17C
0,50	3"	1.873	800	1.400	2.290	165	165	0,8	F18C
0,71	3"	1.928	950	1.400	2.315	165	165	1,19	F19C
1,13	3"	1.934	1.200	1.300	2.272	165	165	1,86	F12C
1,54	3"	1.916	1.400	1.200	2.210	165	165	2,47	F14C