

Screen Calado

It offers the largest and most effective filtering surface. During the cleaning process it does away with linear displacement. They can be made in ebonite

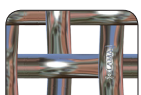


Calado 8"

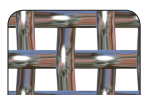
Calado

disponible
PRES 10
MAX
142 kg/cm²
psi

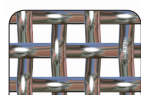
disponible
PRES 16
MAX
228 kg/cm²
psi



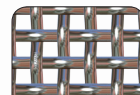
1,5mm.



0,75mm.



0,5mm.



0,02mm.

TECHNICAL DATA

SYSTEM / FEATURES

The filtration through screen is accomplished by retaining the suspended solids in the water between the gaps thereof. The self-cleaning and filtration processes are compatible and can be run simultaneously. The filter also lacks the axial transfer functions characteristic of other filtration systems, CALADO only makes rotation while cleaning.

It also has great filtration surface and reduced head loss.

CONSTRUCTION MATERIALS

Body: carbon steel.

Joints: synthetic rubber nitrile 60° Shore.

Screws: zinc-coated.

Screen: poliamide cartridge and stainless steel screen.

Suction mechanism: stainless steel.

STEEL SURFACE TREATMENT

The steel elements are treated internally and externally and an impregnation of NANOTECHNOLOGY. After that, the elements are painted by electrostatic spraying powder paint, epoxy polyester.

FILTERING ELEMENT

Stainless steel screen injected directly into the polyamide cartridge structure. For our automatic filters the standard screen is 0,190 mm, we also have screens from 1,5 mm up to 0,01 mm.

CLEANING

It is carried out of automatically using a set of nozzles which go over the whole surface of screen. CALADO manages with only one turn of the aspiration mechanism eliminate the dirt accumulated in the filtering cartridge.

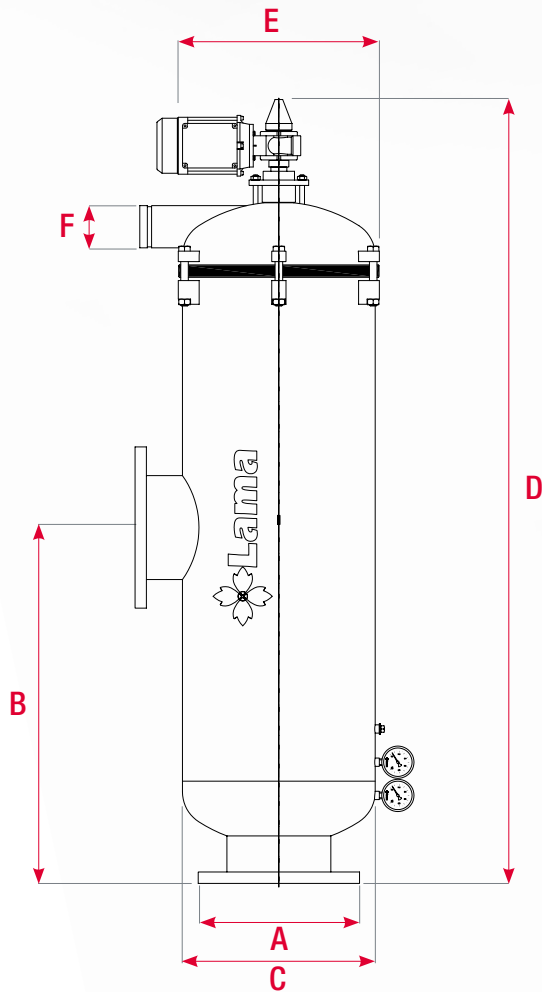
PRESSURES

Max pressure: 10 kg/cm²

Min pressure: 1 kg/cm²

Min cleaning pressure: 2,5 kg/cm²

Testing pressure: 15 kg/cm²

AUTOMATIC ELECTRIC SCREEN FILTER CALADO


Results obtained in our factory with approved measuring instruments, using clean water as a liquid for assessment and Lama screen of 190 µm.

A	B (mm)	C (mm)	D (mm)	E (mm)	F	Net Weight (Kg)	Gross Weight (Kg)	Package Volume (m³)	Code
3" Thread H	316	406	880	660	2" Thread H	113,5	159,5	0.53	Calado 3"
4" Flange	486	406	1,131	713	2" Thread H	119	169	0.58	Calado 4"
5" Flange	600	406	1,100	664	2" Thread H	125	175	0.77	Calado 5"
6" Flange	585	406	1,192	729	2" Thread H	152	229.5	0.91	Calado 6"
8" Flange	750	406	1,647	815	3" Vic	199	280	1.18	Calado 8"
10" Flange	750	406	1,700	664	3" Vic	215	300	1.3	Calado 10"

Flow Limit 3m. P.D.	Max. recommended flow (m³/h)		Filtration Surface (cm²)	Wash Pressure (Kg/m²)	Wash Flow (Kg/m²)	Wash Water Quantity (l)	Wash Duration (minimum)	Code
	< 50ppm	50 / 100ppm						
374	127	77	2,533	1	22	25	5"	Calado 3"
670	227	137	4,180	1	39	38	5"	Calado 4"
768	261	158	4,500	1	45,5	43	5"	Calado 5"
1,010	343	207	6,035	1	58,5	76	5"	Calado 6"
1,321	449	271	9,283	1	83,5	88	5"	Calado 8"
1,408	479	289	9,990	1	90	113.75	5"	Calado 10"