

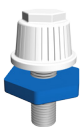
## Special media filters

Applications: drinking water, previous filtration to reverse osmosis, removing turbidity, previous filtration to ultraviolet, depuration (tertiary)... From 1.200 mm diameter.



Filter F20CV15

## LechoEspecial



Nozzle



Activated carbon

Anthracite

Volcanic sand

Siliceous sand

## TECHNICAL DATA

### SYSTEM

The filtration through sand is produced by physical retaining the dirt into the gaps formed between the granules laid throughout the whole mantle. This is an in-depth filtration, characteristic that gives sand filtration to be most efficient system of all.

### CONSTRUCTION MATERIALS

**Body:** carbon steel.

**Manifolds:** carbon steel or polyethylene.

**Joints:** synthetic rubber nitrile 60° Shore.

**Screws:** zinc-plated weather resistant.

**Closing cover inlet and outlet water:** 15 mm melting.

**Nozzles:** polypropylene.

### SURFACE TREATMENT

Surface treatment by high pressure sandblast, grade S.A. 21/2, according to UNE-EN ISO 8501:1988.

It is very important to create a rough surface for the best adhesion of the paint. This enables oxides and all kinds of particles to be eliminated.

#### Exterior area:

- **1<sup>st</sup> layer** of epoxi zinc phosphate primer, with a dry film thickness of 80 microns. Micronage measurement.

- **2<sup>nd</sup> layer** medium layer epoxi, with a dry film thickness is 120 microns. Micronage measurement.

- **3<sup>rd</sup> layer** of aliphatic polyurethane enamel, with a dry film thickness is 50 microns, in blue colour. Micronage measurement. For another colour/treatment, please ask us.

#### Interior area:

- **1<sup>st</sup> phase:** epoxi primer layer.

- **2<sup>nd</sup> phase:** double layer of epoxi paint without solvent **for foodstuff**, with an average dry film thickness of 350 microns. Micronage measurement.

### CLEANING

Investment of the flow with clean water or regeneration of the filtering element.

### PRESSURES

Max. standard pressure : 4 kg/cm<sup>2</sup>

Testing pressure: 6 kg/cm<sup>2</sup>

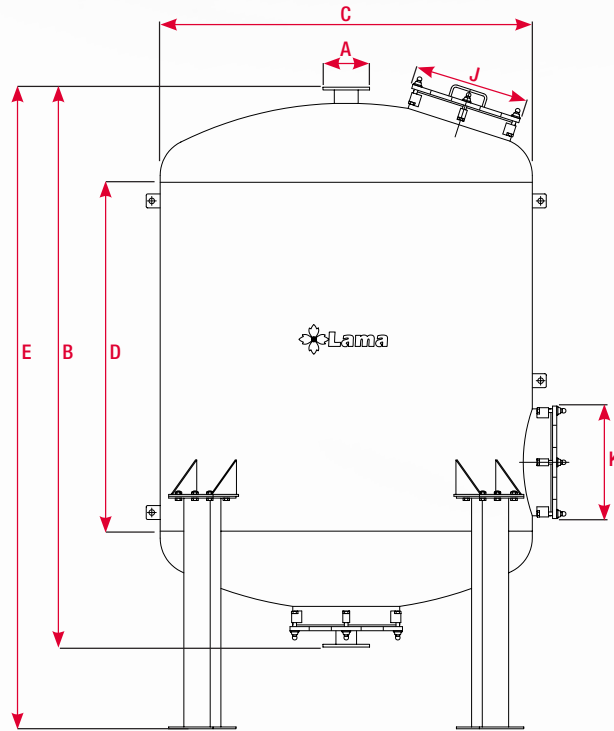
Available pressure: 10 kg/cm<sup>2</sup> and 16 kg/cm<sup>2</sup>

### FEATURES

They are designed to performance at low speed (5-10 m/h), getting a high filtration quality. Holes water for easy maintenance.

**They can be make in ebonite for seawater and corrosive water.**

## SPECIAL MEDIA FILTER



It can be  
 manufactured  
 under  
**ASME**  
 code

Desing and manufactured  
 under client specifications

Filtration Surface (m <sup>2</sup> )	A	B (mm.)	C (Ømm.)	D (mm.)	E (mm.)	J (mm.)	K (mm.)	Package volume (m <sup>3</sup> )	Code
1,13	3" Flange	2.736	1.200	2.000	3.176	220	460	2,66	<b>F12CJH</b>
1,13	3" Flange	2.236	1.200	1.500	2.676	220	460	2,1	<b>F12CV15</b>
1,54	3" Flange	2.820	1.400	2.000	3.217	220	460	3,7	<b>F14CJH</b>
1,54	3" Flange	2.320	1.400	1.500	2.717	220	460	2,93	<b>F14CV15</b>
2,01	3" Flange	2.907	1.600	2.000	3.259	460	460	4,75	<b>F16CJH</b>
2,01	3" Flange	2.407	1.600	1.500	2.759	460	460	3,78	<b>F16CV15</b>
2,54	3" Flange	3.006	1.800	2.000	3.307	460	460	6,32	<b>F18CJH</b>
2,54	3" Flange	2.506	1.800	1.500	2.807	460	460	5,05	<b>F18CV15</b>
3,14	4" Flange	3.087	2.000	2.000	3.347	460	460	7,95	<b>F20CJH</b>
3,14	4" Flange	2.587	2.000	1.500	2.847	460	460	6,41	<b>F20CV15</b>
3,80	4" Flange	3.212	2.200	2.000	3.594	460	460	9,71	<b>F22CJH</b>
3,80	4" Flange	2.712	2.200	1.500	3.094	460	460	7,85	<b>F22CV15</b>
4,52	4" Flange	3.229	2.400	2.000	3.664	460	460	11,93	<b>F24CJH</b>
4,52	4" Flange	2.729	2.400	1.500	3.164	460	460	9,7	<b>F24CV15</b>
4,91	6" Flange	3.338	2.500	2.000	3.720	460	460	12,88	<b>F25CJH</b>
4,91	6" Flange	2.838	2.500	1.500	3.220	460	460	10,43	<b>F25CV15</b>
5,31	6" Flange	3.372	2.600	2.000	3.749	460	460	14,27	<b>F26CJH</b>
5,31	6" Flange	2.872	2.600	1.500	3.249	460	460	11,65	<b>F26CV15</b>
6,16	6" Flange	3.402	2.800	2.000	3.851	460	460	16,9	<b>F28CJH</b>
6,16	6" Flange	2.902	2.800	1.500	3.351	460	460	13,83	<b>F28CV15</b>
7,07	6" Flange	2.538	3.000	1.000	3.019	460	460	12,75	<b>F30CV10</b>
7,07	6" Flange	3.038	3.000	1.500	3.519	460	460	16,25	<b>F30CV15</b>
7,07	6" Flange	3.538	3.000	2.000	4.019	460	460	19,74	<b>F30CJH</b>